



# Warranty



# RoadKing

by mullins wheels

## RoadKing

### DISC WHEELS TUBE TYPE

SIZE	STUD HOLE	FINISH	PART NO.	TYPE	P.C.D.	BORE DIA.	** HDS	DISC THICKNESS
6.00 x 16	A	Black	715-165	2 Piece	6/222.25 J	164mm	135mm	10mm
7.50 x 20	A	Black	715-420	2 Piece	8/285 J	221mm	165mm	14mm
7.50 x 20	A	Black	715-435	2 Piece	10/285.75 AM	220mm	165mm	14mm
7.50 x 20	B	Black	715-445	2 Piece	10/335 ENG	281mm	165mm	14mm
7.50 x 20	C	Black	715-455	2 Piece	10/335 ISO	281mm	165mm	14mm
8.00 x 20	C	Black	715-512	2 Piece	10/335 ISO	281mm	174mm	15mm
8.00 x 20	B	Black	715-507	2 Piece	10/335 ENG	281mm	174mm	15mm
8.00 x 20	A	Black	715-502	2 Piece	10/285.75 AM	221mm	173mm	13mm
8.50 x 20	A	Black	715-602	2 Piece	10/285.75 AM	221mm	180mm	13mm
8.50 x 20	C	Black	715-607	2 Piece	10/335 ISO	281mm	180mm	16mm
8.50 x 20	C	Black	715-605	3 Piece HD	10/335 ISO	281mm	172mm	16mm
8.80 x 20	A	Black	715-618	2 Piece HD	10/285.75 AM	221mm	186mm	16mm
8.50 x 24	36mm SR30	Black	715-650	2 Piece HD	10/335 36mm SR30	270mm	190mm	15mm
8.50 x 24	C	Black	715-655	2 Piece HD	10/335 ISO	281mm	185mm	16mm
10.0 x 20	C	Black	715-620	3 Piece HD	10/335 ISO	281mm	210mm	17mm

\*\* HDS = Half Dual Spacing

Subject to operation at legal load and speed limits, correct tyre fitment and inflation pressure, RoadKing rims & wheels are fully guaranteed by Mullins Wheels Pty Ltd with a TWO YEAR Pro-rata Warranty against material failure or faulty workmanship (excluding finish), from date of sale. Any returns for claim must be freight prepaid to our store. This warranty is in lieu of all other warranties express or implied and in no event shall this warranty be deemed to cover consequential damages of any kind.

## Product Guide



## RoadKing

### DEMOUNTABLE RIMS TUBE TYPE

SIZE	FINISH	PART NO.	RIM STYLE	TYPE
6.00 x 15	Black	705-010	Demountable	3 Piece
6.50 x 15	Black	705-035	Demountable	3 Piece
7.50 x 20	Black	705-285	Demountable HD	3 Piece
8.00 x 20	Black	705-305	Demountable	3 Piece
8.50 x 20	Black	705-310	Demountable	3 Piece
10.0 x 20	Black	705-323	Demountable	3 Piece

## RoadKing

### NON DEMOUNTABLE RIMS TUBE TYPE

SIZE	FINISH	PART NO.	RIM STYLE	TYPE
5.50 x 15	Black	705-006	Non Demountable	2 Piece
6.00 x 16	Black	705-130	Non Demountable	2 Piece
9.00 x 20	Black	705-320	Non Demountable	3 Piece



## Truck and Trailer Wheels and Rims



by mullins wheels



by mullins wheels



Scan QR code for more info on RoadKing

10/15

Contact your local branch now:

**SOUTH AUSTRALIA**  
Ph (08) 8281 3555  
sasales@mullins.com.au

**VICTORIA**  
Ph (03) 9357 2333  
vicsales@mullins.com.au

**NEW SOUTH WALES**  
Ph (02) 9725 2555  
nswsales@mullins.com.au

**QUEENSLAND**  
Ph (07) 3277 8677  
qldsals@mullins.com.au

**WESTERN AUSTRALIA**  
Ph (08) 9277 6266  
wasales@mullins.com.au







## RoadKing DEMOUNTABLE RIMS TUBELESS

SIZE	OFFSET	FINISH	PART NO.	RIM TYPE	VALVE	
6.00 x 17.5	93mm	Silver	700-295	Demountable	405-725	
6.75 x 17.5	100mm	Silver	700-305	Demountable	405-725	
8.25 x 22.5	118mm	Silver	700-420	Demountable	405-728	
	118mm	Chrome	700-420CS	Demountable	405-728C	
9.00 x 22.5	102mm	Silver	700-465	Demountable	405-726	
	127mm	Silver	700-470	Demountable	405-726	
	Reverse Steer 73mm	Silver	700-475	Demountable	405-728	
	Reverse Steer 73mm	Chrome	700-475C	Demountable	405-728C	
11.75 x 22.5	28mm	Silver	700-725	Demountable	405-727	
	56mm	Silver	700-730	Demountable	405-727	
	70mm	Silver	700-755	Demountable	405-727	
	80mm	Silver	700-735	Demountable	405-727	
	90mm	Silver	700-765	Demountable	405-727	
	100mm	Silver	700-740	Demountable	405-727	
	110mm	Silver	700-745	Demountable	405-727	
	Dual banded	Standard 100 Spacing	700-760	Demountable	Excluded	
	14.00 x 22.5	28mm	Silver	700-605	Demountable	405-727
		56mm	Silver	700-610	Demountable	405-727
80mm		Silver	700-625	Demountable	405-727	
100mm		Silver	700-615	Demountable	405-727	
110mm		Silver	700-620	Demountable	405-727	
Dual banded		Standard 100 Spacing	700-600	Demountable	Excluded	
20.00 x 22.5	Dual banded	Standard 100 Spacing	700-910	Demountable	Excluded	

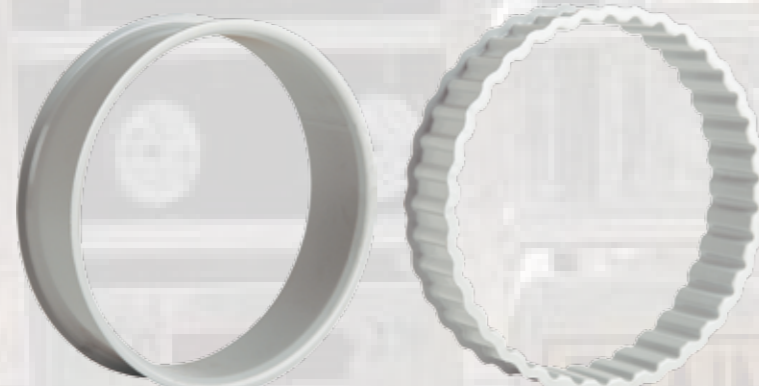
Other Sizes Available By Special Order.

## RoadKing SPACER BANDS

SIZE	FINISH	PART NO.	TYPE	SIZE	FINISH	PART NO.	TYPE
15 x 4.00	Silver	720-1540CH	Channel	20 x 4.00	Silver	720-2040CC	Corrugated
20 x 3.625	Silver	720-2035CC	Corrugated	20 x 4.25	Silver	720-2042CC	Corrugated
20 x 3.625	Silver	720-2035CH	Channel	20 x 4.50	Silver	720-2045CH	Channel



by mullins wheels



## RoadKing FORGED ALLOY WHEELS

SIZE	FINISH	PART NO.	P.C.D.	STUD HOLE	BORE DIA. **	HDS DISC	THICKNESS	WEIGHT KG.	VALVE
7.50 x 19.5	Machined	716-97508275IMA	8/275	24mm ISO	221mm	155mm	21mm	17.2KG	Included
7.50 x 19.5	Brilliant Finish	716-97508275IBF	8/275	24mm ISO	221mm	155mm	21mm	17.2KG	Included
8.25 x 22.5	Machined	716-28210285IMA	10/285.75	26mm ISO	220mm	168mm	25mm	23.7KG	Included
8.25 x 22.5	Brilliant Finish	716-28210285IBF	10/285.75	26mm ISO	220mm	168mm	25mm	23.7KG	Included
8.25 x 22.5	Polished Inside	716-28210285IPI	10/285.75	26mm ISO	220mm	168mm	25mm	23.7KG	Included
8.25 x 22.5	Polished Both Sides	716-28210285IPA	10/285.75	26mm ISO	220mm	168mm	25mm	23.7KG	Included
8.25 x 22.5	Machined	716-28210335IMA	10/335	26mm ISO	281mm	168mm	25mm	25.5KG	Included
8.25 x 22.5	Brilliant Finish	716-28210335IBF	10/335	26mm ISO	281mm	168mm	25mm	25.5KG	Included
8.25 x 22.5	Polished Inside	716-28210335IPI	10/335	26mm ISO	281mm	168mm	25mm	25.5KG	Included
8.25 x 22.5	Machined	716-28210335FMA	10/335	32mm RETRO*	281mm	168mm	25mm	25.4KG	Included
8.25 x 22.5	Brilliant Finish	716-28210335RBF	10/335	32mm RETRO*	281mm	168mm	25mm	25.4KG	Included
9.00 x 22.5	Polished Outside	716-29010285IPO	10/285.75	26mm ISO	220mm	Steer 80 Offset	27mm	25.7KG	Included
11.75 x 22.5	Polished Outside	716-21110285IPO	10/285.75	26mm ISO	220mm	Steer 120 Offset	26mm	26.4KG	Included
11.75 x 22.5	Polished Outside	716-21110335IPO	10/335	26mm ISO	281mm	Steer 120 Offset	26mm	25.8KG	Included

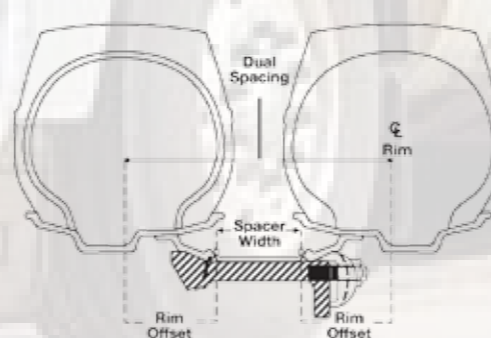
\* Retro Fit Nuts Are Available To Suit Single or Dual Wheel Applications  
\*\* HDS = Half Dual Spacing

## RoadKing RETRO FIT NUTS

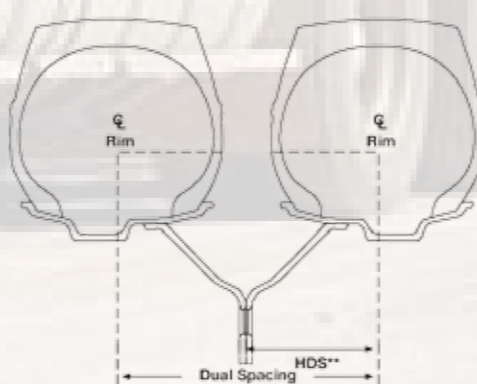
FINISH	PART NO.	DESCRIPTION
Black	725-980	Front Short - M22x1.5 - Right Hand Thread
Black	725-981	Rear Long - M22x1.5 - Right Hand Thread
Black	725-980L	Front Short - M22x1.5 - Left Hand Thread
Black	725-981L	Rear Long - M22x1.5 - Left Hand Thread
Black	725-988	Rear Long - M18x1.5 - Right Hand Thread
Zinc	725-971	Front Short - M22x1.5 - Right Hand Thread
Zinc	725-972	Rear Long - M22x1.5 - Right Hand Thread
Zinc	725-973	Front Short - M22x1.5 - Left Hand Thread
Zinc	725-974	Rear Long - M22x1.5 - Left Hand Thread



DUAL DEMOUNTABLE RIMS



DUAL DISC WHEELS

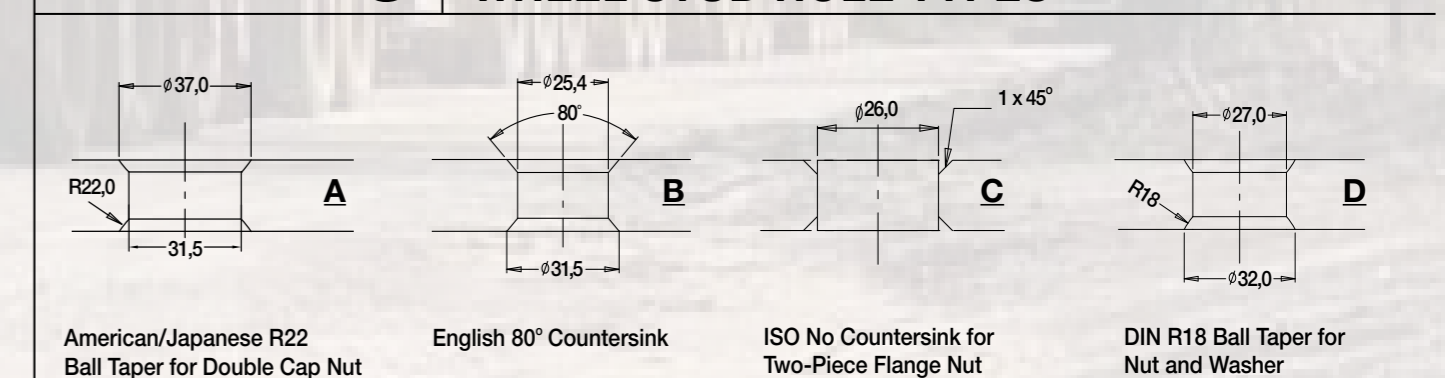


## RoadKing DISC WHEELS TUBELESS

SIZE	STUD HOLE	FINISH	PART NO.	P.C.D.	BORE DIA.	** HDS	DISC THICKNESS	VALVE
5.50K x 16.0	A	Silver	710-180	5/208 J	150mm	116mm	9.5mm	405-727
5.50K x 16.0	A	Silver	710-185	5/203.2 J	146mm	116mm	9.5mm	405-727
6.00 x 17.5	A	Silver	710-208	5/203.2 J	146mm	127mm	10mm	405-727
6.00 x 17.5	A	Silver	710-205	5/208 J	150mm	127mm	10mm	405-727
6.00 x 17.5	A	Silver	710-202	6/222.25 J	164mm	135mm	11mm	405-727
6.00 x 17.5	C	Silver	710-210	10/225 ISO	176mm	135mm	11mm	405-727
6.75 x 17.5	A	Silver	710-215	6/222.25 J	164mm	140mm	12mm	405-727
6.75 x 17.5	C	Silver	710-220	10/225 ISO	176mm	145mm	12mm	405-727
6.75 x 19.5	A	Silver	710-225	6/222.25 J	164mm	145mm	12mm	405-727
7.50 x 19.5	C	Silver	710-240	8/275 ISO	221mm	155 mm	13mm	405-727
8.25 x 19.5	C	Silver	710-250	8/275 ISO	221mm	165 mm	14mm	405-727
7.50 x 22.5	D	Silver	710-326	8/275 DIN	221mm	160mm	14mm	405-727
7.50 x 22.5	A	Silver	710-329	8/285 J	221mm	165mm	13mm	405-727
7.50 x 22.5	C	Silver	710-335	10/285.75 ISO	221mm	165mm	13mm	405-727
7.50 x 22.5	C	Silver	710-340	10/335 ISO	281mm	165mm	13mm	405-727
8.25 x 22.5	A	Silver	710-445	8/285 J	221mm	165mm	14mm	405-727
8.25 x 22.5	C	Silver	710-447	10/285.75 ISO	220mm	165mm	14mm	405-727
8.25 x 22.5	A	Silver	710-450	10/285.75 AM	220mm	165mm	14mm	405-727
8.25 x 22.5	C	Silver	710-460	10/335 ISO	281mm	165mm	14mm	405-727
8.25 x 22.5	B	Silver	710-455	10/335 ENG	281mm	165mm	14mm	405-727
8.25 x 22.5	D	Silver	710-465	10/335 DIN	281mm	165mm	14mm	405-727
9.00 x 22.5	C	Silver	710-500	10/335 ISO	281mm	175mm	14mm	405-727
9.00 x 22.5	C	Silver	710-502XHD	10/335 ISO	281mm	175mm	15mm	405-727
9.00 x 22.5	B	Silver	710-510	10/335 ENG	281mm	175mm	14mm	405-727
11.75 x 22.5	A	Silver	710-545	8/285 J	221mm	100mm	14mm	405-727
11.75 x 22.5	C	Silver	710-547	10/285.75 ISO	221mm	120mm	14mm	405-727
11.75 x 22.5	C	Silver	710-560	10/335 ISO	281mm	120mm	14mm	405-727

\*\* HDS = Half Dual Spacing

## RoadKing WHEEL STUD HOLE TYPES



Any Truck Every Wheel

www.mullinswheels.com.au